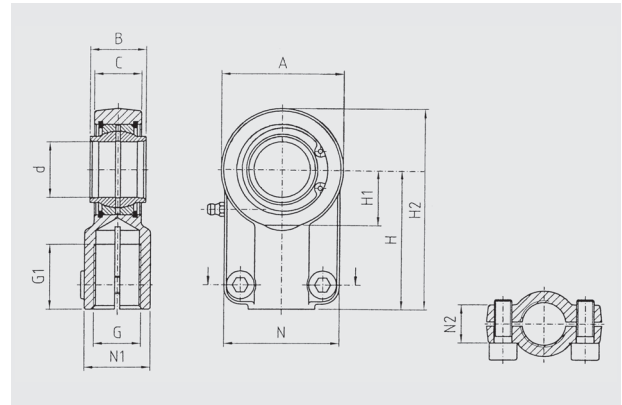


# Accessories – Piston rod knuckles

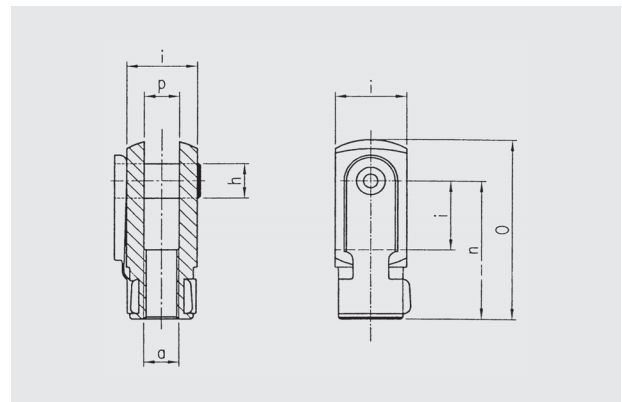
## Joint head GS (DIN 24338, ISO 6982, sliding contact surface combination: steel/steel)

Type	Ø d-H7	A	B	C-h12	G	G1	H	H1	H2	N	N1	N2
GS 12	12	32	12	10.5	M 12 x 1,25	17	38	14	54	32	16	12
GS 16	16	40	16	13	M 14 x 1.5	19	44	18	64	40	21	11.5
GS 20	20	47	20	17	M 16 x 1.5	23	52	22	77	47	25	14
GS 25	25	58	25	21	M 20 x 1.5	29	65	27	96	54	30	17
GS 32	32	70	32	27	M 27 x 2	37	80	32	118	66	38	22
GS 40	40	89	40	32	M 33 x 2	46	97	41	145.5	80	47	26
GS 50	50	108	50	40	M 42 x 2	57	120	50	179	96	58	32
GS 63	63	132	63	52	M 48 x 2	64	140	62	211	114	70	38



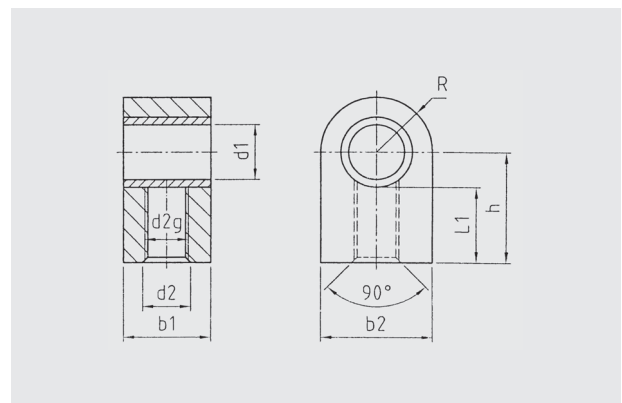
## Fork joint GG (acc. to ISO 8140, with ES bolt)

Type	a	Ø h-h8	i	n	o	p
GG - M 4	M 4	4	8	16	21	4
GG - M 6	M 6	6	12	24	31	6
GG - M 8	M 8	8	16	32	42	8
GG - M 10 x 1,25	M 10 x 1,25	10	20	40	52	10
GG - M 12 x 1,25	M 12 x 1,25	12	24	48	62	12
GG - M 16 x 1.5	M 16 x 1.5	16	32	64	83	16
GG - M 20 x 1.5	M 20 x 1.5	20	40	80	105	20
GG - M 27 x 2	M 27 x 2	30	55	110	148	30
GG - M 36 x 2	M 36 x 2	35	70	144	188	35



## Swivel head GE with bronze sleeve

Type	d2g	Ø d1-H7	Ø d2	b1	b2	h	L1	R
GE 5	M 5	6	6	10	18	18	13	9
GE 6	M 6	8	8	12	20	20	14	10
GE 8	M 8	10	10	15	25	24	17	12.5
GE 10	M 10	12	12	20	25	28	19	12.5
GE 12	M 12	14	14	20	30	32	22	15
GE 14	M 14	16	16	25	30	36	25	15
GE 16	M 16	20	20	30	40	42	29	20
GE 20	M 20	25	25	40	50	50	34	25
GE 24	M 24	25	32	40	50	60	44	25
GE 27	M 27	32	32	50	60	70	50	30
GE 33	M 33	40	40	60	80	80	55	40
GE 42	M 42	50	50	80	100	100	70	50
GE 48	M 48	60	60	100	120	125	76	—
GE 52	M 52	80	80	100	120	125	76	—



Larger threads for the swivel head GE available upon request.