

## Special versions (upon request)

### Hydraulic cylinders with piston Ø 100-250 mm

ZH100 = Hydraulic cylinders for operational pressures up to 100 bar

ZH250 = Hydraulic cylinders for operational pressures up to 250 bar

**Dimensions:** upon request

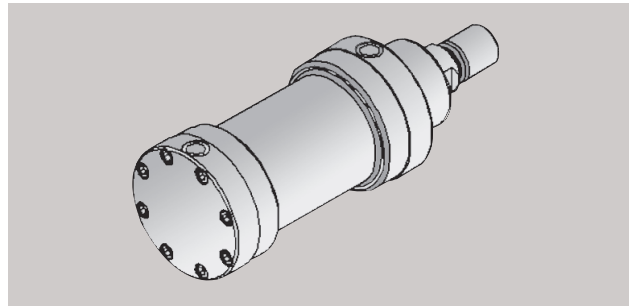
**Available versions:**

Piston Ø: 100–250 mm

Lengths of stroke at your option: We manufacture any length of stroke you desire

Functional types: D, Dbb

Seal version: standard version: H00



### Hydraulic cylinders with end position sensing

**Hydraulic cylinders with pressure-resistant inductive proximity switches for end position sensing.**

**Design:** PNP/normally open contact (short circuit-resistant). **Dimensions:** upon request

The proximity switches are attached 180° (opposite) to the connections if not otherwise specified by the customer

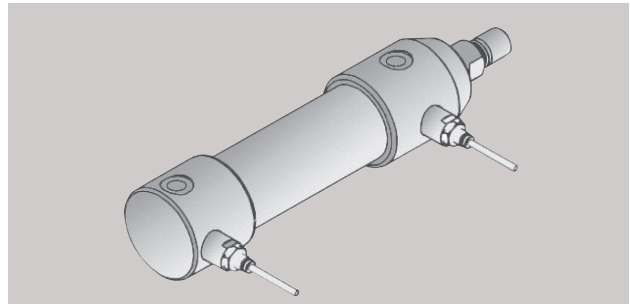
**Available versions:**

Piston Ø: minimum piston Ø 10 mm

Lengths of stroke at your option: We manufacture any length of stroke you desire

Functional types: D, Dbb

Seal version: standard version: H03



### Hydraulic cylinders in servo quality

**Dimensions:** upon request

with connecting plate for directional control valve upon request (NG6/NG10)

**Available versions:**

Piston Ø: min. piston Ø 20 mm

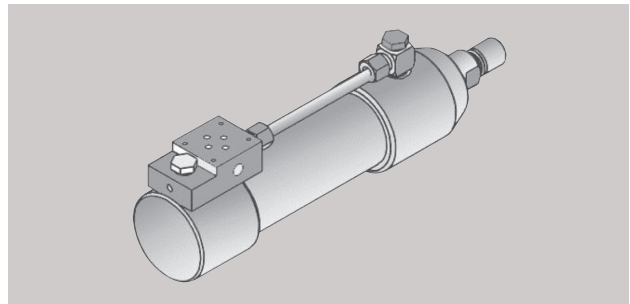
Lengths of stroke at your option: We manufacture any length of stroke you desire

Functional types: D, Dbb

Seal version: standard version: H40

Piston with sliding ring PTFE and driving band

Piston rod with tandem sealing (sliding-ring seal/grooved ring and dust seal)



### Hydraulic cylinders with path-measuring system

**For high-precision positioning, adjusting and controlling movements, our hydraulic cylinders can be equipped with contactlessly operating path measurement systems.**

**Dimensions:** upon request

**Available versions:**

Piston Ø: min. piston Ø 40 mm

Lengths of stroke at your option: We manufacture any length of stroke you desire

Functional type: D

**Path sensors for:** (Dimensions upon request)

- analog interface
- digital pulse interface
- SSD interface
- CANopen interface

