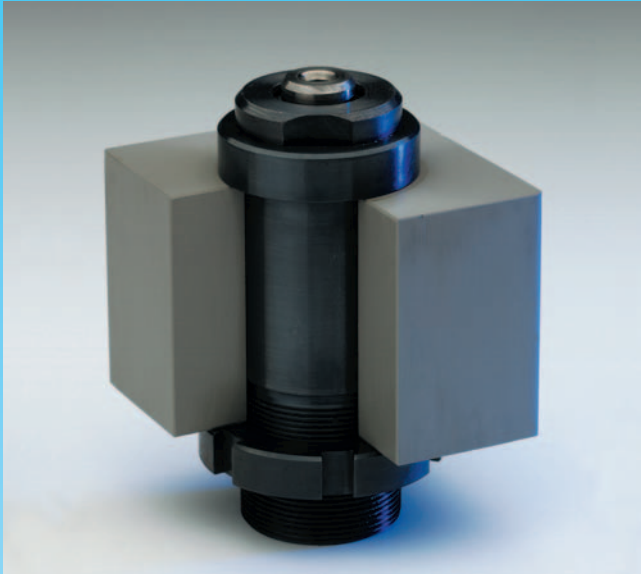


## ZHSS Series



### 400 bar clamping cylinder

**Piston Ø 16-50 mm**

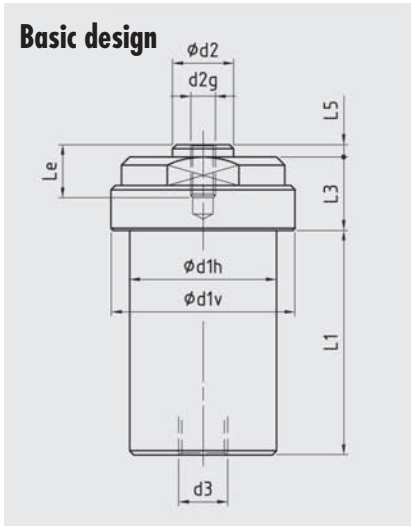
**Standard lengths of stroke**

- Single-effect pushing operation;  
with or without spring return mechanism
- Round, compact design;  
black blued
- Piston rod hardened;  
with dust seal

## General information

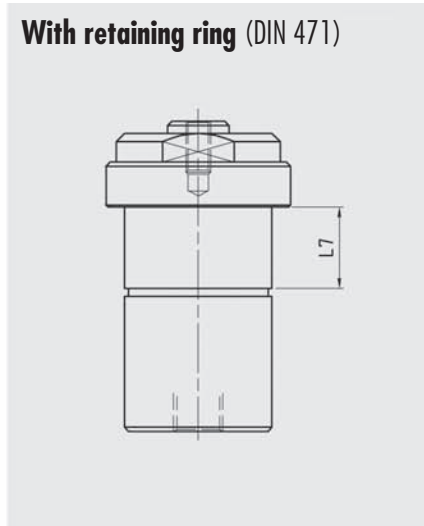
Piston Ø (mm)	16	20	25	32	40	50	
Piston surface pushing (cm <sup>2</sup> )	2.01	3.14	4.91	8.04	12.56	19.63	
Piston force (daN)	pushing at 100 bar	201	314	491	804	1256	1963
	160 bar	321	502	785	1286	2010	3140
	250 bar	502	785	1227	2010	3140	4907
	400 bar	804	1256	1964	2316	5024	7852
Spring force (daN)	stressed	12	14	24	30	50	72
	pre-stressed	6	7	12	15	25	36

## Mounting types



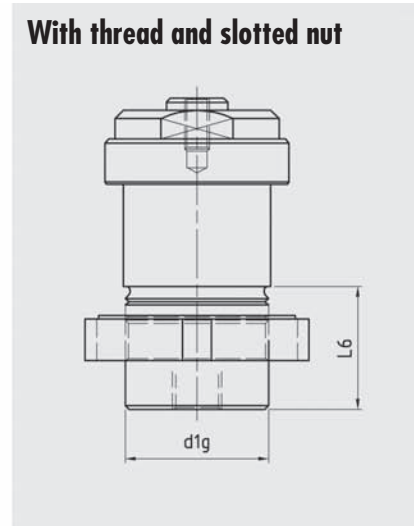
Ordering example: ZHSS 25-3

### With retaining ring (DIN 471)



ZHSS 25-3 L7 = 10 mm

### With thread and slotted nut



ZHSS 25-3 d1g = M35x1.5 L6 = 30 mm

## General dimensions

Functional type	Type	Stroke	L1	L3	Le	L5	L6/L7	d1v	d1h-h8	d1g	d2-h7	d2g	d3
	ZHSS 16-1	4	45	13.5	10	2.5	Lengths L6 and L7 can be chosen	30	25	M25x1.5	10	M5	G 1/8"
	ZHSS 16-2	8	58					36	30	M30x1.5	12	M5	G 1/8"
	ZHSS 20-1	5	50	15	10	3		45	36	M35x1.5	15	M6	G 1/4"
	ZHSS 20-2	10	68					55	45	M45x1.5	20	M8	G 1/4"
	ZHSS 25-1	6	55	18	12	3		65	55	M55x1.5	25	M10	G 1/4"
	ZHSS 25-2	12	76					82	70	M70x2	32	M12	G 1/4"
	ZHSS 32-1	8	63	20	16	4		30	25	M25x1.5	10	M5	G 1/8"
	ZHSS 32-2	16	91					36	30	M30x1.5	12	M5	G 1/8"
	ZHSS 40-1	10	70	21	20	6		45	36	M35x1.5	15	M6	G 1/4"
	ZHSS 40-2	20	105					55	45	M45x1.5	20	M8	G 1/4"
	ZHSS 50-1	12	78	24	24	6		65	55	M55x1.5	25	M10	G 1/4"
	ZHSS 50-2	24	120					82	70	M70x2	32	M12	G 1/4"
	ZHSS 16-3	18	45	13.5	10	2.5		30	25	M25x1.5	10	M5	G 1/8"
	ZHSS 16-4	31	58					36	30	M30x1.5	12	M5	G 1/8"
	ZHSS 20-3	20	50	15	10	3		45	36	M35x1.5	15	M6	G 1/4"
	ZHSS 20-4	38	68					55	45	M45x1.5	20	M8	G 1/4"
	ZHSS 25-3	27	55	18	12	3		65	55	M55x1.5	25	M10	G 1/4"
	ZHSS 25-4	48	76					82	70	M70x2	32	M12	G 1/4"
	ZHSS 32-3	28	63	20	16	4		30	25	M25x1.5	10	M5	G 1/8"
	ZHSS 32-4	56	91					36	30	M30x1.5	12	M5	G 1/8"
	ZHSS 40-3	38	70	21	20	6		45	36	M35x1.5	15	M6	G 1/4"
	ZHSS 40-4	73	105					55	45	M45x1.5	20	M8	G 1/4"
	ZHSS 50-3	40	78	24	24	6		65	55	M55x1.5	25	M10	G 1/4"
	ZHSS 50-4	82	120					82	70	M70x2	32	M12	G 1/4"