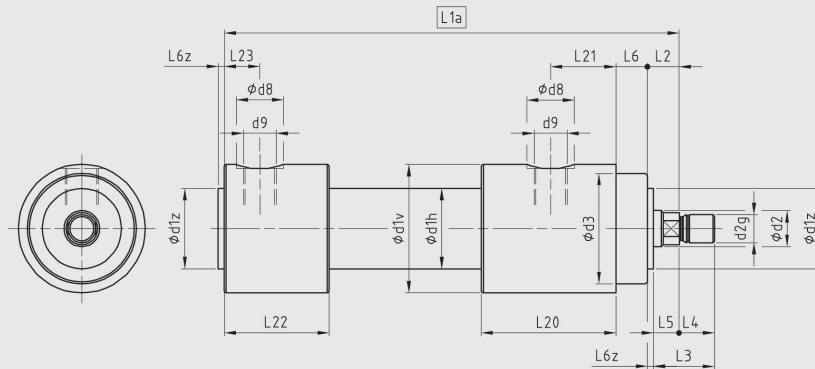
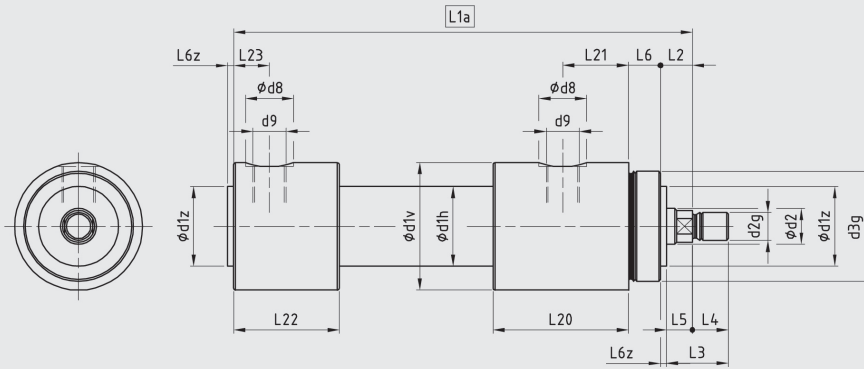


Dimension drawings/Dimensions

A Basic design



Gv Front thread mounting



Piston Ø	25		32		40		50		63		80		100	
Piston rod Ø d2-f7	14	18	18	22	22	28	28	36	36	45	45	56	56	70
d2g	M12x1,25	M14x1,5	M14x1,5	M16x1,5	M16x1,5	M20x1,5	M20x1,5	M27x2	M27x2	M33x2	M33x2	M42x2	M42x2	M48x2
L3	29	31	31	35	35	41	42	50	52	61	63	74	76	83
L4	16	18	18	22	22	28	28	36	36	45	45	56	56	63
L5		13		13		13		14		16		18		20
d1v		54		64		74		93		103		128		148
d1h		33		40		50		65		80		100		124
d1z-f8		32		40		50		60		70		85		106
d3		48		55		65		80		90		110		125
d3g		M48x1,5		M55x1,5		M65x1,5		M80x1,5		M90x2		M110x2		M125x2
d8		20		24		28		28		34		34		42
d9		G 1/4"		G 3/8"		G 1/2"		G 1/2"		G 3/4"		G 3/4"		G 1"
L2		16		16		16		18		20		22		25
L6		12		16		16		20		25		32		32
L6z		3		3		3		4		4		4		5
L20		61		68		88		95		102		112		145
L21		30		33		41		45		50		55		76
L22		46		53		69		72		77		82		98
L23		15		18		22		22		25		25		29

Functional type	Length measurements L1a							
D/E/Ez/Dbb	L1a=stroke+	150	170	190	205	224	250	300